

# RWV AUTONOME

## WEIGHING SYSTEM INTEGRATED IN THE FORKS OF A LIFT TRUCK

**AUTONOMOUS WEIGHING SYSTEM,  
OPERATES INDEPENDENTLY FROM  
THE LIFT TRUCK**

**NO CABLING, NO MOUNTING,  
NO ADJUSTMENTS TO THE LIFT TRUCK**

**EASY TO INSTALL, EASY TO EXCHANGE**

**HIGH ACCURACY:  
MAXIMUM ERROR 0.1%  
OF THE APPLIED WEIGHT**

**SUITABLE FOR HEAVY-DUTY APPLICATIONS**

**RESISTANT TO SHOCKS AND VIBRATIONS**

### FUNCTIONALITY

- ◆ Automatic and manual zero correction
- ◆ Gross / net weighing
- ◆ Automatic tare and manual tare weight entry
- ◆ Totalisation with sequence number
- ◆ Error indication in display
- ◆ Overload protection 300%

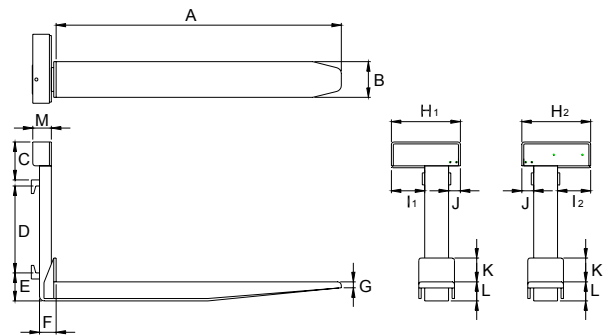


Control if incoming goods during unloading

**RAVAS**

## DIMENSIONS in mm

	RWV A 2500		RWV A 5000	
	FEM IIA	FEM IIB	FEM IIIA	FEM IIIB
A	1150	1150	1150	1150
B	145	145	190	190
C	150	150	200	200
D	407	407	508	508
E	76	152	76	203
F	80	80	80	80
G	16	16	16	16
H1	290	290	290	290
H2	310	310	310	310
I1	135	135	85	85
I2	155	155	105	105
J	50	50	50	50
K	100	100	140	140
L	70	70	80	80
M	80	80	80	80



The dimensions for approved for trade weighing systems can differ

## GRADUATION

RWV A 2500 : for lift trucks with capacity up to 2500 kg, graduation 2 kg

RWV A 5000 : for lift trucks with capacity between 2500 and 5000 kg, graduation 5 kg

## TECHNICAL SPECIFICATIONS

Max. inaccuracy	: 0.1% of applied weight
Display	: LCD, digit height 18 mm
Keypad	: 3 function keys, on / off switch
Protection	: according to IP65
Weight	: 75 kg per fork ( 2500 kg version)
Power supply	: rechargeable battery module, 1.2 Ah, including charger
Battery life	: 30 hours
	: low battery indication

# RAVAS

**RAVAS Europe B.V.**

P.O. Box 2023  
5300 CA ZALTBOMMEL  
THE NETHERLANDS

☎ +31 - 418 - 51 52 20

☎ +31 - 418 - 51 53 20

[info@ravas.com](mailto:info@ravas.com)

[www.ravas.com](http://www.ravas.com)

Ref.: RWVaut/d/980225/v6

## OPTIONS

- Other fork lengths
- Other graduation
- Extra exchangeable battery module
- Legal for trade version
- Stainless steel fork shoes
- Indicator mounted on right-hand fork